

AMCON
LENS LAYOUT BLOCKER
EQ-3011

AMCON The Eyecare Supply
CENTER®

1-800-255-6161 • Fax 1-800-397-0013

www.amconlabs.com

CONTENTS

DISCLAIMER AND GENERAL SAFETY WARNINGS.....2

NOMENCLATURE3

PROCEDURES3

MAINTENANCE4

DISCLAIMER

Amcon: The Eyecare Supply Center makes no representations or warranties, either expressed or implied, with respect to the contents hereof and specifically disclaims any warranties, merchantability or fitness for any particular purpose. Further, Amcon: The Eyecare Supply Center reserves the right to revise this publication and to make changes from time to time in the contents hereof without obligation of this company to notify any person of such revision or changes.

***NOTE:** Neither manufacturer nor distributor assumes any responsibility or liability for any damages caused by negligence or ignorance of precautions in this manual.*

GENERAL SAFETY REQUIREMENTS

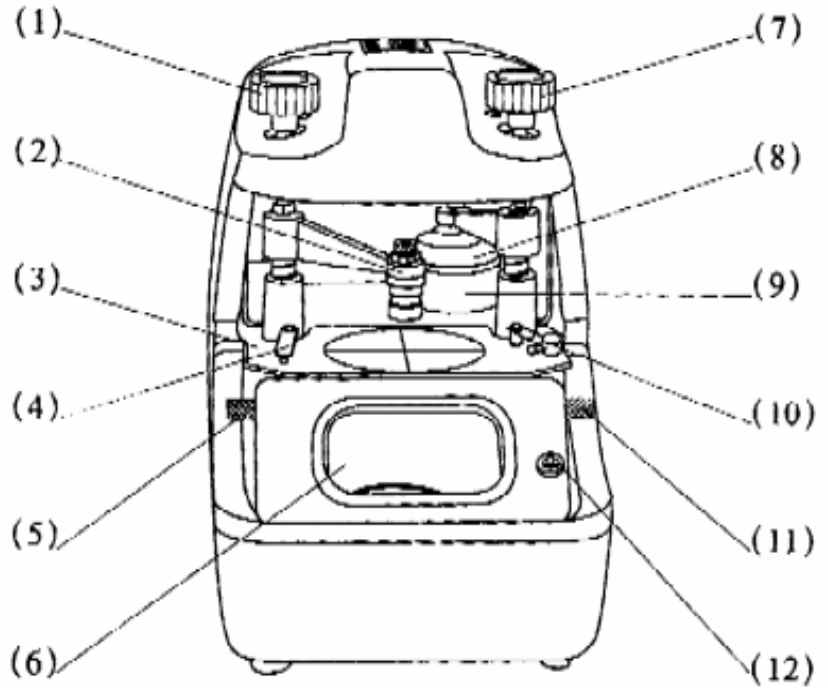
Please read the following warnings carefully to avoid injury as well as to not damage the Pattern Maker.

WARNINGS

1. Do not use the instrument under flammable or explosive environments. Keep it clean and dry. Avoid high temperatures.
2. Do not pull the power cord to disconnect power. Pull cord by the plug only.
3. In case of trouble with the instrument, first read the manual for troubleshooting to problem. If this does not solve the problem, contact an authorized optical lab equipment service repairperson.

NOMENCLATURE

1. Suction Cup Button
2. Suction Cup Head
3. Display Panel
4. Lens Pressing Arm
5. Frame Alignment Knob
6. Display Window
7. Lens Marking Button
8. Rubber Cap
9. Ink Box
10. Pointer Holder
11. Horizontal Alignment Knob
12. Power Switch



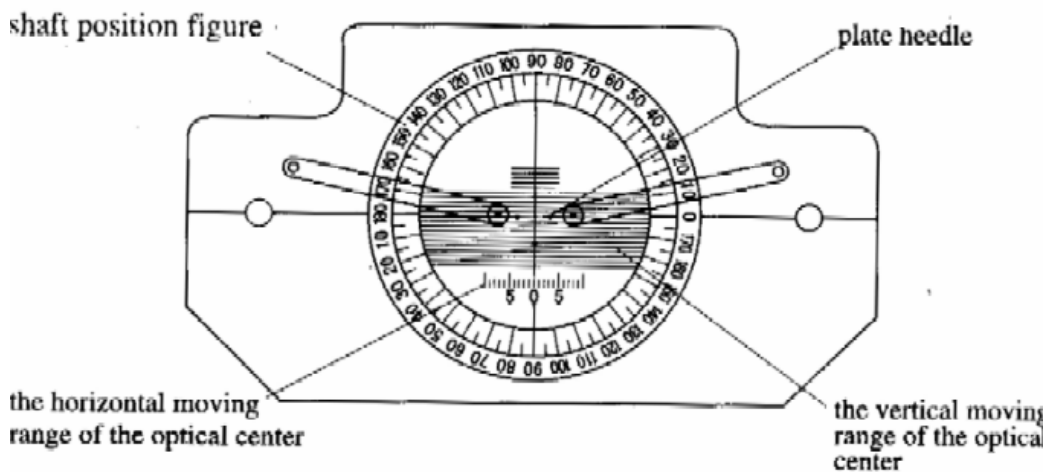
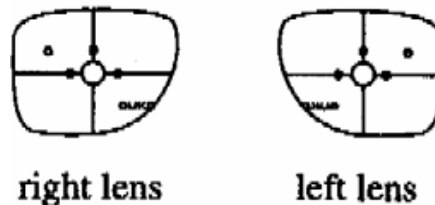
PROCEDURES

Turning on the Power

Turn the switch upward to turn the power on. Turn the switch downward to turn it off.

Lens Patterns

Place the lens pattern on the two plate needles in the center of the display panel.



Lens Pressing Arm

Place the lens blank over the lens pattern. After the lens blank is in the correct position, place the lens pressing arms on the lens blank to secure the lens into place.



Horizontal Alignment Knob

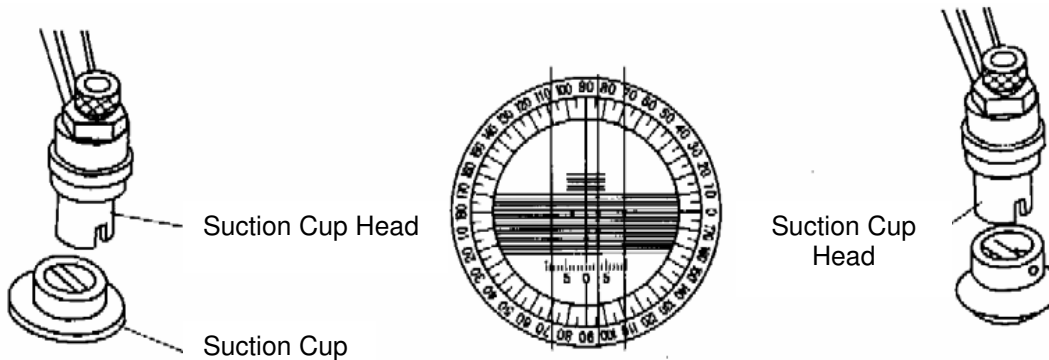
When this knob is turned, the three vertical lines will move towards the left or the right simultaneously. This is used to decenter a lens horizontally.

Frame Alignment Knob

Turning this knob will move the two bottom of the two outer lines outward simultaneously.

Suction Cups

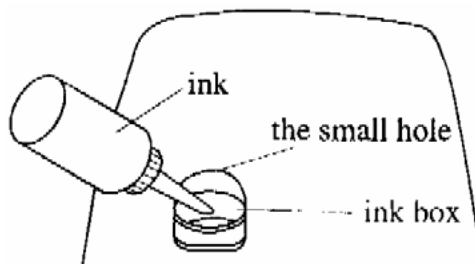
The use of suction cups is optional. Suction cups may be used in place of alloy and a metal block. Place the suction cup onto the suction cup head. Then move the suction cup button until the suction cup is aligned directly over the lens blank. Push down and the suction cup will stick to the lens blank.



MAINTENANCE

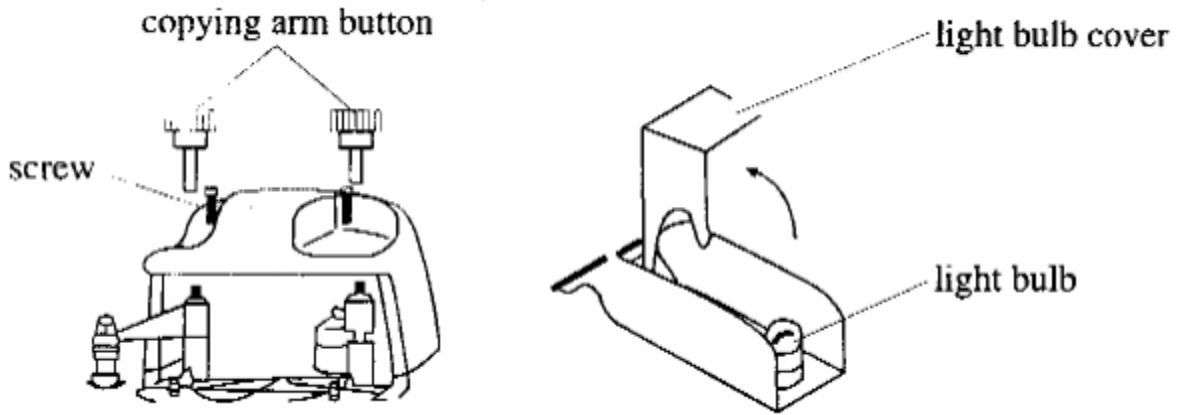
Filling Ink Box

Slowly pour lens marking ink into the ink box through the small hole.



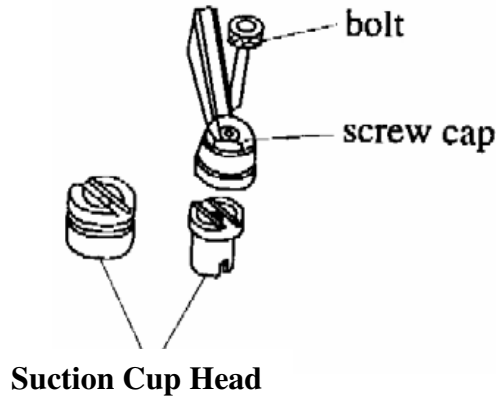
Replacing the Bulb

Loosen the screw on the top cover and pull the cover up. Lift the light bulb cover and replace the bulb. Put the top cover back into place and tighten the screw.



Replacing the Suction Cup Head

Loosen the suction cup holder screw and replace the head.



Replacing the Print Button

Slowly press the print button. Do not loosen screw.

