



AMCON AUTO POLISHER USER'S MANUAL

EQ-3003

AMCON The Eyecare Supply
C ENTER®

1-800-255-6161 • Fax 1-800-397-0013

www.amconlabs.com

AMCON The Eyecare Supply CENTER

| | |
|--------------------------------------|----|
| Disclaimer | 3 |
| 1. Introduction | 4 |
| 2. Safety Instructions | 5 |
| 3. Parts | 6 |
| 4. Specifications | 7 |
| 5. To Set-Up External Vacuum | 8 |
| 6. To Operate The Polisher | 9 |
| 6.1 Setting the Lens | 9 |
| 6.2 Setting The Loading Lever | 9 |
| 6.3 Applying Polish | 10 |
| 6.4 Setting The Timer | 10 |
| 6.5 Polishing | 11 |
| 7. Maintenance | 12 |
| 7.1 Replacing The Buffer Wheel | 12 |
| 7.2 Cleaning | 13 |
| 7.3 Oiling | 13 |
| 8. Troubleshooting | 14 |

Disclaimer

Amcon: The Eyecare Supply Center makes no representations or warranties, either expressed or implied, with respect to the contents hereof and specifically disclaims any warranties, merchantability or fitness for any particular purpose. Further, Amcon: The Eyecare Supply Center reserves the right to revise this publication and to make changes from time to time in the contents hereof without obligation of this company to notify any person of such revision or changes.

1. Introduction

Thank you for purchasing the Amcon Auto Polisher. The Amcon Auto Polisher is designed to polish the edges of plastic and high index lenses to a high luster automatically, allowing the operator to step away from the machine. The EQ-3003 is not designed to automatically polish polycarbonate lenses but will do a good job manually if the proper procedure is followed. It is a user friendly unit that takes only a few minutes to learn. Its powerful direct drive design eliminates broken or slipping drive belts.

Please read these instructions and keep this manual in a convenient location for future reference.

WARNING: Never attempt to operate this machine before you have thoroughly read and understood all the instructions. Failure to comply can result in fire, electric shock or serious personal injury. Keep this user's manual on hand and review frequently to ensure continued safe operations.

NOTE: Manufacture assumes no responsibility or liability for any damages caused by negligence or ignorance of precautions in this manual.

2. Safety Instructions

To ensure safe use of this product, it is important that you follow the instructions outlined in this manual and marked on the product.

- Please read this user's manual before you operate your polisher. Save this user's manual for future reference.
- Do not use this machine for any purpose other than polishing lens edges.
- Make sure your power source corresponds to the specifications of the unit. Never operate this machine with the wrong power source.
- Do not place the machine in a hot area or near flammable materials.
- If any type of liquid or material gets into the inner part of the unit, IMMEDIATELY turn off and unplug the unit. Until the unit has been checked by a qualified service representative, the power should not be turned back on.
- Do not try to disassemble any part of the unit except the parts that are explained in this manual.
- Unplug the power cord when not in use for a long period of time.
- Do not touch the rotating buffer wheel.

3. Parts

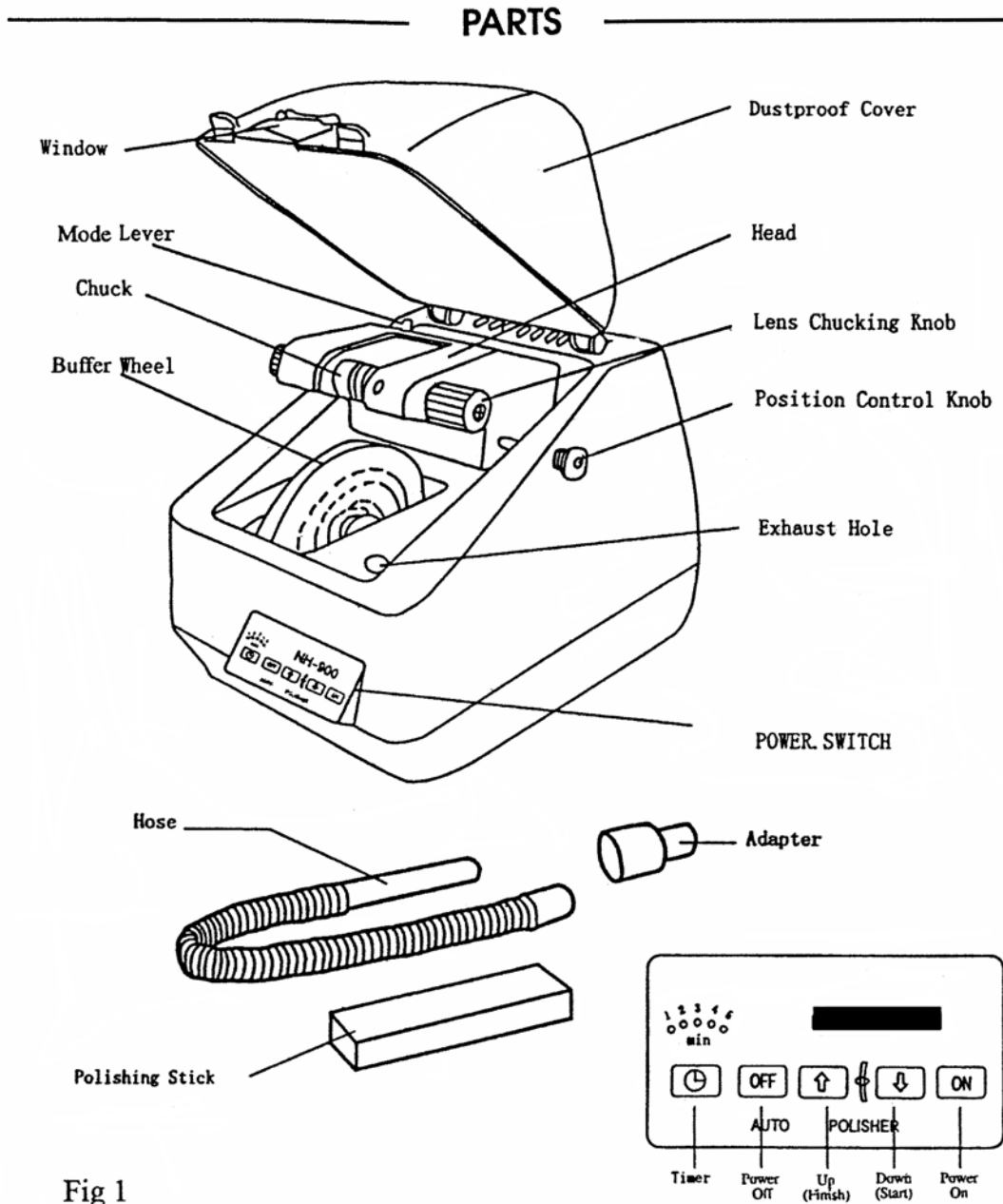


Fig 1

4. Specifications

| | |
|--------------------|--|
| Power Requirements | 100 to 120V / 60Hz AC or 200 to 240C / 50Hz AC |
| Power Consumption | 140W |
| Dimensions | 8½” width x 10½” depth x 9½” height (214 mm width x 270 mm depth x 240 mm height) |
| Weight | 15 lbs. (6.7 kg) |
| Timer | 0 – 5 minutes |
| Buffer Wheel | O.D. 115mm (max.); Thickness 10 mm |

The specifications and appearance are subject to change without notice.

5. To Set-Up External Vacuum

The Amcon Auto Polisher can be attached to an external vacuum cleaner (not provided) to keep polish and dust from flying around. The vacuum cleaner's power plug should be replaced with the 3-pin plug provided so it can be connected into the AC 220V jack on the back of the Auto Polisher. This will allow the vacuum to be turned on and off with the Auto Polisher's power switch.

CAUTION: Use a vacuum with 600W or less of power.

1. Connect the vacuum's plug to the AC jack at the back of the Auto Polisher.
2. Flip the switch on the back of the polisher from Manual to Auto (Fig. 2).
3. Attach the supplied hose adapter to the vacuum hose and insert it in the opening at the back of the polisher.
4. Set the vacuum on low.
5. Replace vacuum cleaner bags as needed.

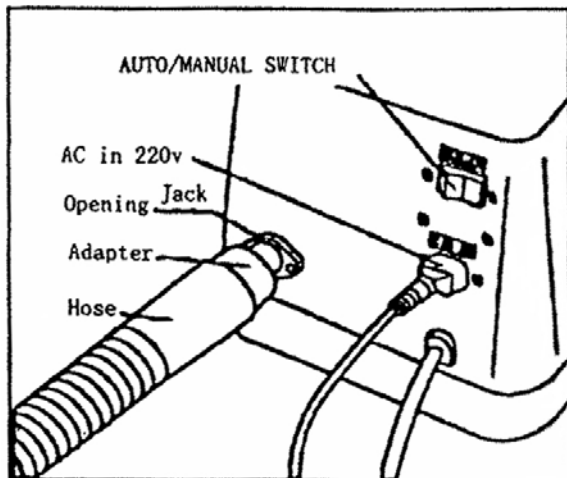


Fig 2

6. To Operate The Polisher

6.1 Setting the Lens

Chuck the lens by placing the center of the lens against the left chuck ring with the convex side facing to the right. Tighten the lens chucking knob until the lens is held firmly in place. To avoid breakage, do not over tighten. (Fig. 3)

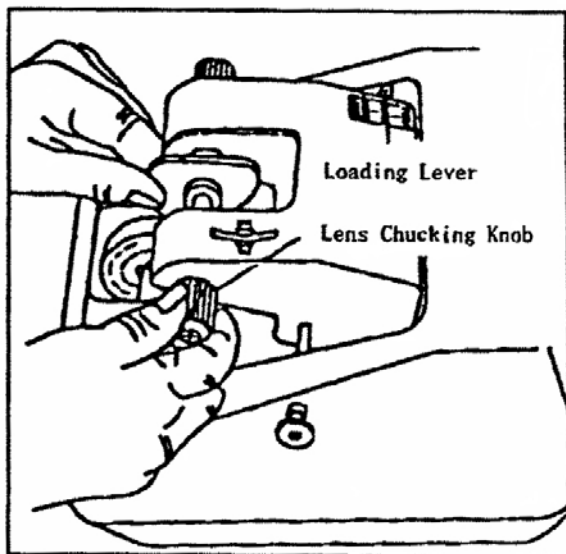


Fig. 3

6.2 Setting The Loading Lever

- | | |
|-------------|---|
| LOW | - For plastic (CR-39) lenses |
| HIGH | - For Hi-Index or thick plastic (CR-39) lenses |
| EXTRA LIGHT | - For polycarbonate and extremely thin plastic (CR-39) lenses |

6.3 Applying Polish

Close the dustproof cover and press the power switch on. Press the polish stick through the window against the rotating buffer wheel coating the wheel well. If the wheel is not properly coated with polish, it will take longer to obtain optimum results. (Fig. 4).

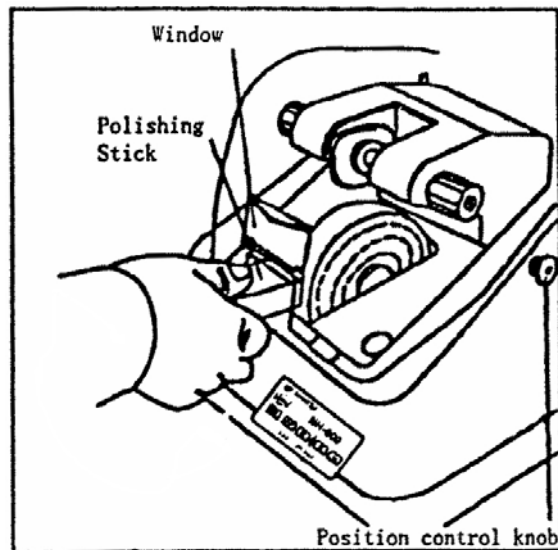


Fig. 4

6.4 Setting The Timer

Set the timer by pressing the timer button until the desired time is lit. Recommended polishing times are as follows:

| | | |
|-----------------|---|---------------|
| PLASTIC (CR-39) | - | 2 – 3 minutes |
| HI-INDEX | - | 3 – 5 minutes |
| POLYCARBONATE | - | 1 – 2 minutes |

6.5 Polishing

Plastic & High Index Lenses

- a) Set the loading lever to the appropriate setting.
- b) Using the position control knob, center the lens over polishing pad.
- c) Lower the dust cover.
- d) Set the timer.
- e) Press the “Down” (start) switch to start the machine. The machine head comes down and the lens rotates. You can walk away if you are polishing Plastic or Hi-Index lenses. The machine will stop after the polishing time is over.

Polycarbonate Lenses

- a) Set the loading lever to “Extra Light”.
- b) Using the position control knob, center the lens over the polishing pad.
- c) Position your right hand under the lens chucking knob resting it on the edge of the machine.
- d) Set the time to 1 – 2 minutes.
- e) Press the “Down” (start) switch with you left hand.
- f) As the machine head comes down, make sure your hand is under the chucking knob reducing the pressure on the lens so the wheel rotates without resistance.
- g) Hold the chucking knob for the duration of the polish cycle.
- h) Check to lens for results. Additional polish time may be needed.

CAUTION: You should **NOT** walk away if you are polishing polycarbonate lenses. The polisher may over polish and affect the bevel of the lens.

7. Maintenance

7.1 Replacing The Buffer Wheel

CAUTION: Before replacing the buffer wheel make sure to unplug the machine from the outlet.

1. Pull the buffer wheel to the left to remove.
2. Attach the new buffer wheel by inserting the hole of the buffer wheel onto the shaft and push the wheel to the right to secure.

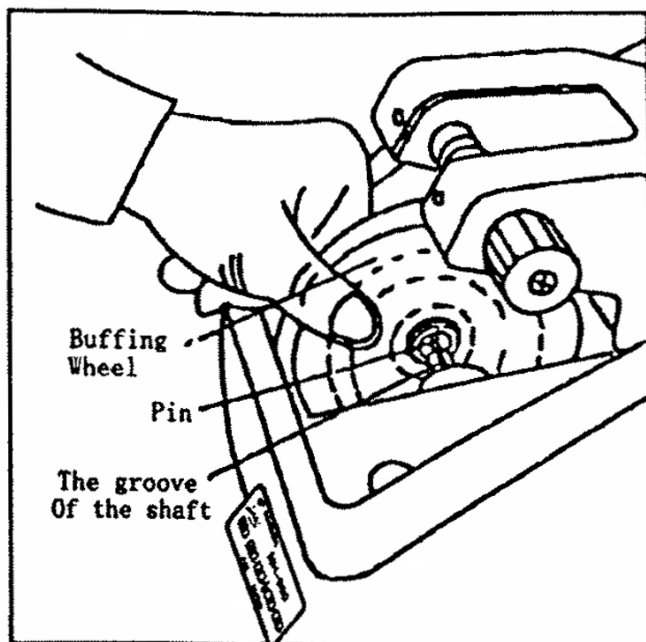


Fig. 5

7.2 Cleaning

- A. Keep buffer wheel in good working order by cutting any hanging threads with scissors.
- B. Keep the Chuck Rings clean to avoid scratching the lenses.
- C. Clean the inside of the machine whenever it becomes dusty. You can use a shop vac if your polisher is not hooked to an external vac. If hooked to an external vac, do the following:
 1. Insert the cleaning hose provided with the exhaust hole.
 2. Switch the Auto/Manual Switch at the back of the machine to Manual.
 3. Turn on the machine to clean.

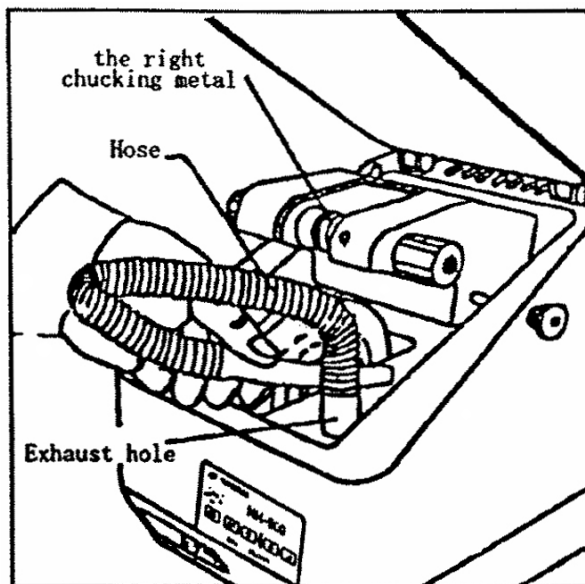


Fig. 6

7.3 Oiling

When the chuck is not rotating freely it needs to be oiled. Pull the chuck to the left and lubricate with oil or grease.

8. Troubleshooting

Situation: Head doesn't return to its original position automatically.

Possible Cause 1:

The main power was cut off while the polisher was in operation. As a result the head can't resume its original position after the machine is restarted.

Solution:

- Press the "ON" button.
- Press the "↓" button.
- Press the "↑" button.
- The head will resume its starting position and the polisher will operate normally.

Possible Cause 2:

If the buffing wheel is so worn that it must be replaced or the buffing wheel is so soft that the head sinks down too far, you will find that the head can't resume its original position after finishing the polishing process.

Solution:

Make sure the power is connected, then press the "ON" button and then lift the black knob with care, the head will resume its original position.

Generally, the "allowance distance" must be 3 – 4 mm before operating the machine. If it is not, you must adjust the screw of damper and set the allowance distance equal to 3 – 4 mm.

Allowance distance = the distance between the edge of the upper casing and the top rear side of the head.