



AMCON
HAND EDGER
USER'S MANUAL
EQ-3002

AMCON The Eyecare Supply
C ENTER®

1-800-255-6161 • Fax 1-800-397-0013

www.amconlabs.com

AMCON The Eyecare Supply CENTER

Disclaimer	3
1. Introduction	4
2. Safety Precautions	5
3. Unpacking The Machine	6
4. Parts	7
5. Preparing The Machine For Operation	8
6. Maintenance	9

Disclaimer

Amcon: The Eyecare Supply Center makes no representations or warranties, either expressed or implied, with respect to the contents hereof and specifically disclaims any warranties, merchantability or fitness for any particular purpose. Further, Amcon: The Eyecare Supply Center reserves the right to revise this publication and to make changes from time to time in the contents hereof without obligation of this company to notify any person of such revision or changes.

1. Introduction

Thank you for purchasing the Amcon Hand Edger. The Amcon Hand Edger quickly and easily pin bevels edged lenses for mounting.

Please read these instructions and keep this manual in a convenient location for future reference.

WARNING: Never attempt to operate this machine before you have thoroughly read and understood all the instructions. Failure to comply can result in fire, electric shock, or serious personal injury. Keep this users manual on hand and review frequently to ensure continued safe operation.

NOTE: Manufacturer assumes no responsibility or liability for any damages caused by negligence or ignorance or precautions in this manual.

2. Safety Precautions

To ensure safe use of this product, it is important that you follow the instructions outlined in this manual and marked on the product.

- Please read this user's manual before you operate your hand edger. Save this user's manual for future reference.
- Do not use this machine for any purpose other than hand edging lenses.
- Make sure your power source corresponds to the specifications of the unit. Never operate this machine with the wrong power source.
- Do not place the machine in a hot area or near flammable materials.
- If any type of liquid or material gets into the inner part of the unit, IMMEDIATELY turn off and unplug the unit. Until a qualified service representative checks the unit, do not turn the power back on.
- Do not try to disassemble any part of the unit except the parts that are explained in this manual. Doing so will void all warranties.
- Unplug the power cord when not in use for a long period of time.
- Do not touch the wheel while the machine is in operation to avoid injury.
- Do not use replacement parts from sources other than the manufacturer. If other replacement parts are used, all warranties will be null and void.

3. Unpacking The Machine

1. Open the carton and take out the machine wrapped in foam.
2. Carefully remove the machine from the foam packing.
3. Place the machine on a stable, flat surface.
4. Make sure the following accessories are included in the package.
 - Upper Water Can
 - Hose
 - Plastic Belt
 - Water Tray (in underside of the machine)
 - Honing Stick

4. Parts

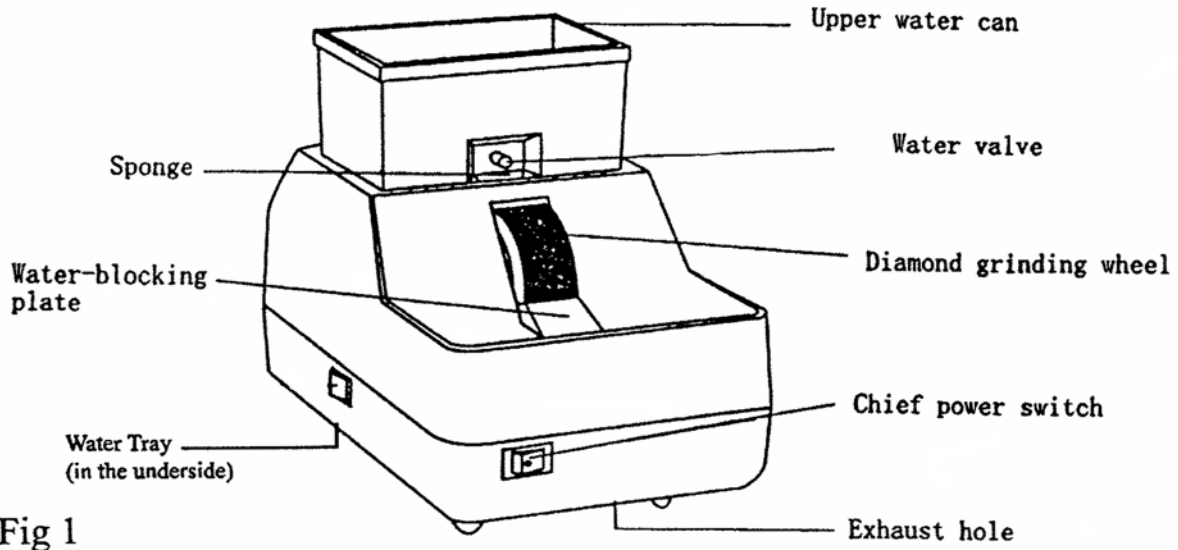


Fig 1

5. Preparing The Machine For Operation

1. Remove the water tray from the under side of the machine.
2. Remove the Phillips head screw from the drain.
3. Connect the hose (supplied) to the drain.
4. Replace the water tray in the underside of the machine.
5. Sit the machine on the table and run the hose into a bucket or reservoir.
6. Place the upper water can in the trough on the top of the machine and fill with clean water.
When the machine is used for the first time, take the sponge out from under the water valve and moisten it and put it back in place.
7. Open the water valve and let the water drip at 80 – 100 drops a minute. Turn on the Switch and the machine is ready to be used.

Note: The right side of the wheel is rough, the left side is fine.

6. Maintenance

1. Remove cover by removing the two screws on top under the upper water can.
2. Take belt off.
3. Remove the right shaft mount by unscrewing the screws (under the belt) with a 10 mm wrench.
4. With a 1" wrench loosen the mounting screw on the left side of the wheel.
5. Slide the wheel off the shaft and replace with new or retrued wheel.
6. Tighten mounting screw.
7. Replace shaft mount and screws.
8. Replace cover and cover screws.

Note: The grinding wheel can be honed when needed.